



foodproof®

# ***Salmonella*** **Detection Kit**

## **MANUAL**

Documentation for the qualitative detection of *Salmonella* DNA

Order No. KIT 2300 49 / KIT 2300 50

foodproof®

## **Salmonella Detection Kit**

Order No. KIT 2300 49

Kit for 96 reactions for a  
maximum of 94 samples

Order No. KIT 2300 50

Kit for 480 reactions for a  
maximum of 470 samples

Store kit at -25 °C to -15 °C

For testing of food  
and environmental samples

Approvals:



**Manual:**

Version 5, February 2022

**TABLE OF CONTENTS**

**1. OVERVIEW ..... 4**

**1.1 General Information ..... 4**

**1.2 Applicability..... 4**

**1.3 Kit Contents ..... 5**

**2. INSTRUCTIONS ..... 7**

**2.1 Required Material ..... 7**

**2.2 Precautions and Preparations..... 8**

**2.3 Enrichment and DNA extraction ..... 9**

    2.3.1 Certified Methods ..... 9

**2.4 Procedure..... 13**

    2.4.1 Workflow ..... 13

    2.4.2 Program Setup..... 14

    2.4.3 Data Interpretation ..... 14

**2.5 Troubleshooting ..... 15**

**2.6 Support..... 16**

**3. ADDITIONAL INFORMATION ..... 17**

**3.1 Testing Principle ..... 17**

**3.2 Trademarks ..... 18**

**3.3 Reference Number ..... 18**

**3.4 Change Index ..... 18**

## OVERVIEW

# 1. OVERVIEW

## 1.1 General Information

### Number of Reactions

The kit is designed for 96 reactions or 480 reactions respectively with a final reaction volume of 25 µl each. Up to 94 samples or 470 samples (single sample preparation) plus positive and negative control can be analyzed per run.

### Storage and Stability

Store all components at -25 °C to -15 °C. They are guaranteed to be stable through the expiration date printed on the label. Opening of the kit does not shorten the expiration date.

## 1.2 Applicability

The kit described in this Instruction Manual has been developed for real-time PCR instruments with a FAM and a VIC/HEX detection channel. The performance of the kit was tested with the following real-time PCR instruments: LightCycler® 480, LightCycler® 96 (Roche Diagnostics), Applied Biosystems™ 7500 Fast (Thermo Scientific), Mx3005P® (Agilent), and others.

The **foodproof**® *Salmonella* Master Mix is sequence-specific for a highly conserved gene found in all subgroups of *Salmonella*. Inclusivity has been tested in several internal and external studies (AOAC-R and MicroVal) with more than 700 strains of *Salmonella enterica* (all subspecies) and *Salmonella bongori* comprising members of all O-serogroups according to White-Kauffmann-Le Minor scheme 2007. Exclusivity was determined during the above mentioned studies using more than 50 species of closely related organisms or organisms occurring in the same habitat.

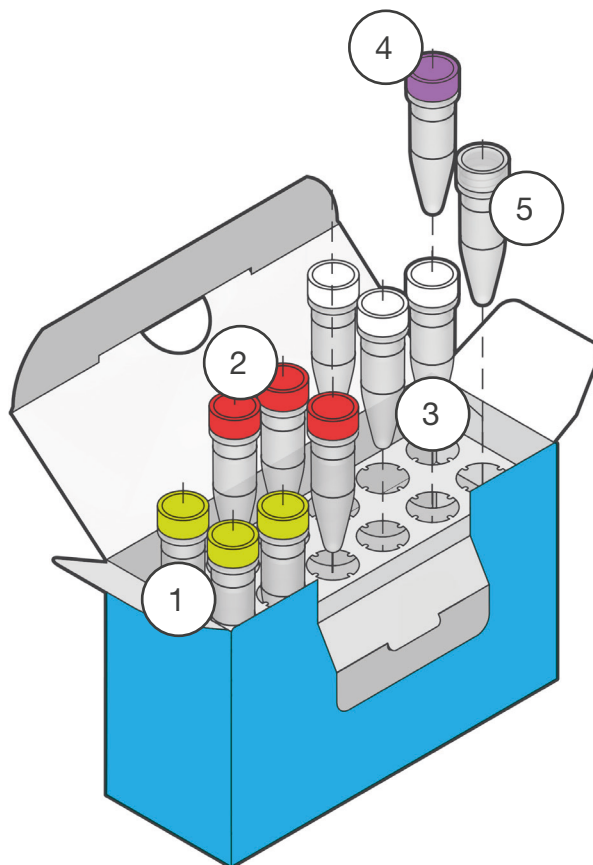
A relative detection limit of 1 to 10 cells per 25 g sample can be achieved with all kinds of foods. **foodproof**® *Salmonella* Detection Kit detects down to 10<sup>3</sup> - 10<sup>4</sup> cfu/ml in enrichment cultures (depending on the sample preparation kit used: **foodproof**® ShortPrep I Kit, **foodproof**® StarPrep One Kit or **foodproof**® Magnetic Preparation Kits I or IV).

## OVERVIEW

### 1.3 Kit Contents

A schematic representation of the **foodproof®** *Salmonella* Detection Kit with all its components.

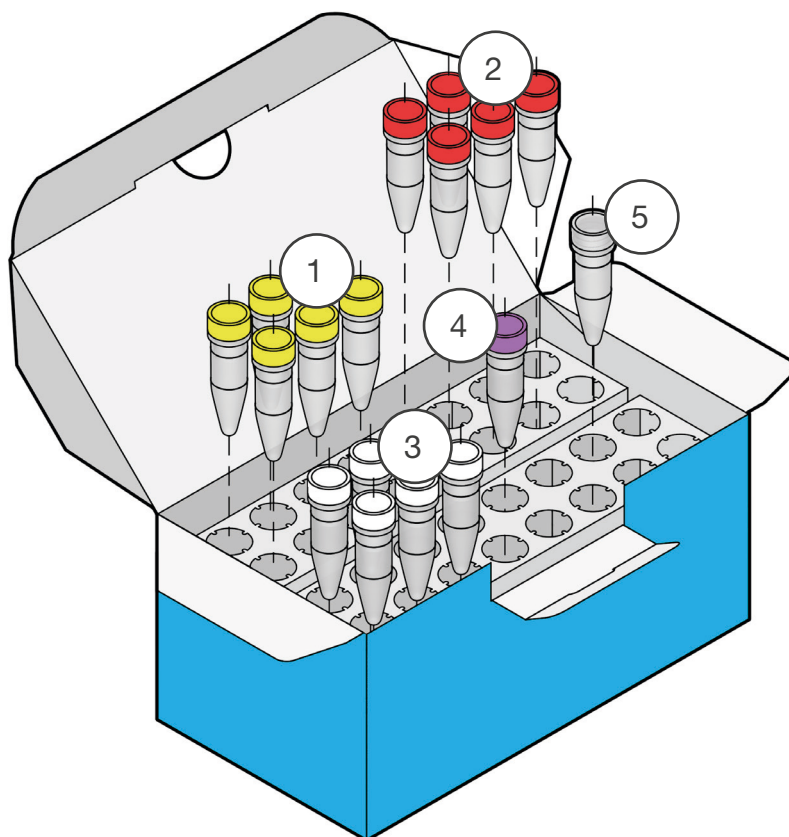
#### KIT 2300 49:



	Component	Details
1	Master Mix (yellow cap)	3 x 600 µl, ready-to-use primer and hydrolysis probe mix specific for parameter DNA and the parameter-specific Internal Control (IC). Store at -25 °C to -15 °C. <b>Avoid repeated freezing and thawing! Protect from light!</b>
2	Enzyme Solution (red cap)	3 x 32 µl, contains Taq DNA Polymerase and Uracil-DNA Glycosylase (heat labile) for prevention of carry-over contamination. Store at -25 °C to -15 °C.
3	Internal Control (white cap)	3 x 32 µl, contains a stabilized solution of plasmid DNA and a yellow dye for better visualization. For use as an internal amplification control. Store at -25 °C to -15 °C. Optional: After first thawing store at 2 °C to 8 °C for up to one month.
4	Control Template (purple cap)	1 x 150 µl, contains a stabilized solution of DNA. For use as a PCR run positive control. Store at -25 °C to -15 °C. Optional: After first thawing store at 2 °C to 8 °C for up to one month.
5	Negative Control (transparent cap)	1 x 1 ml, contains PCR-grade water. For use as a PCR run negative control. Store at -25 °C to -15 °C. Optional: After first thawing store at 2 °C to 8 °C for up to one month.

## OVERVIEW

## KIT 2300 50:



	Component	Details
1	Master Mix (yellow cap)	5 x 1,800 µl, ready-to-use primer and hydrolysis probe mix specific for parameter DNA and the parameter-specific Internal Control (IC). Store at -25 °C to -15 °C. <b>Avoid repeated freezing and thawing! Protect from light!</b>
2	Enzyme Solution (red cap)	5 x 96 µl, contains Taq DNA Polymerase and Uracil-DNA Glycosylase (heat labile) for prevention of carry-over contamination. Store at -25 °C to -15 °C.
3	Internal Control (white cap)	5 x 96 µl, contains a stabilized solution of plasmid DNA and a yellow dye for better visualization. For use as an internal amplification control. Store at -25 °C to -15 °C. Optional: After first thawing store at 2 °C to 8 °C for up to one month.
4	Control Template (purple cap)	1 x 250 µl, contains a stabilized solution of DNA. For use as a PCR run positive control. Store at -25 °C to -15 °C. Optional: After first thawing store at 2 °C to 8 °C for up to one month.
5	Negative Control (transparent cap)	1 x 1 ml, contains PCR-grade water. For use as a PCR run negative control. Store at -25 °C to -15 °C. Optional: After first thawing store at 2 °C to 8 °C for up to one month.

**INSTRUCTIONS****2. INSTRUCTIONS****2.1 Required Material**

Most of the required equipment and reagents are available through Hygiena™. Please contact us for further information.



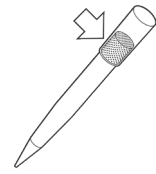
*Use a real-time PCR cyclor suitable for detection of respective probes.*

---

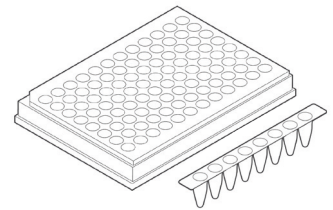
**Material**

---

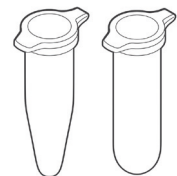
- Nuclease-free, aerosol-resistant pipette **filter tips**



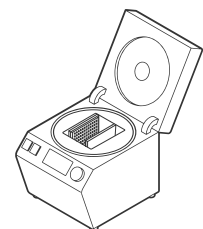
- Real-time PCR compatible **strips or plates** with optical cap or foil



- Sterile **reaction tubes** for preparing PCR mixes and dilutions



- PCR strip or plate centrifuge



## INSTRUCTIONS

### 2.2 Precautions and Preparations

The kit provides all reagents required for the PCR. However, in order to achieve reliable results, the entire assay procedure must be performed under nuclease-free conditions. Follow the instructions below to avoid nuclease, carry-over, or cross-contamination:

- Keep the kit components separate from other reagents in the laboratory.
- Use nuclease-free labware (e.g., pipettes, pipette tips, reaction vials).
- Wear gloves when performing the assay.
- To avoid cross-contamination of samples and reagents, use fresh aerosol barrier pipette tips.
- To avoid carry-over contamination, transfer the required solutions for one experiment into a fresh tube, rather than directly pipetting from stock solutions.
- Physically separate the workplaces for DNA preparation, PCR setup, and PCR to minimize the risk of carry-over contamination. Use a PCR hood for all pipetting steps.
- Sample Material:** Use any sample material suitable for PCR in terms of purity, concentration, and absence of inhibitors.
- DNA Extraction:** We provide sample preparation kits suitable for all kind of food samples and primary production stage samples.
- Positive Control:** Always run a positive control with the samples. Use the provided control DNA (Control Template) or a positive sample preparation control.
- Negative Control:** Always run a negative control with the samples. To prepare a negative control, replace the template DNA with PCR-grade water. Include a negative control during sample preparation to monitor reaction purity and cross-contamination. This extraction control can be used as an additional negative control reaction.
- Confirmation:** If required, positive results may be confirmed by appropriate methods (e.g., reference method).
- Waste Disposal:** All contaminated and potentially infectious material, like enrichment cultures or food samples, should be autoclaved before disposal and eliminated according to local rules and regulations. For more information, e.g., proper disposal of unused chemicals, please refer to the appropriate safety data sheet (SDS).



*Keep the PCR mix away from light.*

For more information, please refer to the appropriate safety data sheet (SDS). The SDS is available online at [www.bc-diagnostics.com](http://www.bc-diagnostics.com).



## INSTRUCTIONS

### 2.3 Enrichment and DNA extraction

The **foodproof**<sup>®</sup> *Salmonella* Detection Kit is intended for the rapid detection of *Salmonella* DNA isolated from enrichment cultures prepared by valid methods and inoculated with all kinds of foods that are potentially contaminated with *Salmonella*. This method is intended for use in a laboratory setting. The kit must not be used in diagnostic procedures.

General procedure: Pre-enrichment broth and temperature according to ISO 6579 or BAM (Chapter 5) or USDA for 20 +/- 2 h. Sub-cultivation 1/10 in pre-warmed brain heart infusion broth (e.g. 1 ml sample + 9 ml broth) for 3 h at 37 °C is recommended. Other suitable, validated enrichment procedures can also be used.

#### Recommended DNA extraction kits:

- ⇒ KIT 2301 75 / 76 - StarPrep One Kit / large (suitable for most matrices)
- ⇒ KIT 2301 79 - Magnetic Preparation Kit I (for an automated extraction)
- ⇒ KIT 2301 84 - Magnetic Preparation Kit IV (for an automated extraction)
- ⇒ KIT 2301 70 - ShortPrep I Kit (for a very quick extraction)

#### 2.3.1 Certified Methods

The kit is AOAC-RI *Performance Tested Methods*<sup>SM</sup> program validated with the following foods: chicken breast, cocoa powder, coconut, cumin, dough, dry pet food, egg powder, food dye, Frankfurter sausage, ice cream, Lyoner sausage, milk chocolate, milk powder, minced meat, pasta, sliced cabbage, smoked fish, watermelon, wet pet food, white pepper and environmental samples (AOAC certificate No. 120301). The validation was done on a LightCycler 1.5 from Roche Diagnostics.

AOAC-RI (certificate no. 120301)

Validation with the **foodproof**<sup>®</sup> ShortPrep I Kit, S 400 01 for DNA extraction according to BAM/FDA:

- White pepper and cumin: enrichment in TSB for 24 h +/- 2 h at 35 °C, sub-cultivation in 1/10 BHI, 3 h at 37 °C
- Milk powder: enrichment in brilliant green water for 24 h +/- 2 h at 35 °C, sub-cultivation in 1/10 BHI, 3 h at 37 °C
- Cocoa: enrichment in low fat milk for 24 h +/- 2 h at 35 °C, sub-cultivation in 1/10 BHI, 3 h at 37 °C
- Egg powder, coconut, sausages, smoked fish, ice cream, watermelon, sliced cabbage, food dye, pasta, dough, wet and dry pet food: enrichment in lactose broth for 24 h +/- 2 h at 35 °C, sub-cultivation in 1/10 BHI, 3 h at 37 °C

## INSTRUCTIONS

In a harmonized MicroVal / AOAC-RI validation (MicroVal projects 2011LR40 and 2011LR42, AOAC no. 120301), the kit is validated in combination with the **foodproof®** Magnetic Preparation Kit I (KIT 2301 79) for automated sample preparation and the **foodproof®** StarPrep One Kit (KIT 2301 75) for manual sample preparation. The validation was done with the following food categories: beef meat, chocolate and bakery products, egg products, feed samples, meat and meat products, milk and dairy products and primary production stage samples (PPS). The validation was done with the following PCR instruments: LightCycler® 480 II (software version 1.5.1) from Roche, CFX96™ from Bio-Rad (software version CFX Manager 2.0) and Mx3005P from Agilent (software version MX4.1d). To be in compliance with the actual standards a renewal of the MicroVal projects 2011LR40 and 2011LR42 was done according to ISO 16140-2. The table below shows an overview how the samples were processed within the latest study.

### Protocols MicroVal projects 2011LR40 / 2011LR42 – Renewal study

Category	Enrichment	Subcultivation	DNA isolation	Confirmation
meat and meat products/ milk and dairy/egg products/ feed samples	25 g + 225 ml BPW for 20 +/-2 h at 37 °C +/-1 °C	1 ml + 9 ml prewarmed BHI 3 to 4 h at 37 °C +/-1 °C (optional)	<b>foodproof®</b> StarPrep One	according ISO 6579-1:2017
Cocoa and cocoa-containing products	25 g + 225 ml Milk, (Brilliant green) for 20 +/-2 h at 37 °C +/-1 °C	1 ml + 9 ml prewarmed BHI 3 to 4 h at 37 °C +/-1 °C (optional)	<b>foodproof®</b> StarPrep One	according ISO 6579-1:2017
Beef meat	375 g + 3375 ml BPW for 20 +/-2 h at 37 °C +/-1 °C	1 ml + 9 ml prewarmed BHI 3 to 4 h at 37 °C +/-1 °C (optional)	<b>foodproof®</b> StarPrep One	according EN ISO 6579-1:2017
meat and meat products/milk and dairy/egg products/feed samples	25 g + 225 ml BPW for 19 to 20 h at 37 °C +/-1 °C	none	<b>foodproof®</b> Magnetic Preparation Kit I	according ISO 6579-1:2017
Cocoa and cocoa-containing products	25 g + 225 ml Milk, Brilliant green for 19 to 20 h at 37 °C +/-1 °C	none	<b>foodproof®</b> StarPrep One	according ISO 6579-1:2017
PPS	25 g + 225 ml BPW for 16 to 17 h at 37 °C +/-1 °C	0.1 ml + 10 ml RVS broth 16 to 24 h at 41.5 °C +/-1 °C	<b>foodproof®</b> StarPrep One on 500 µl enrichment	according ISO 6579-1:2017

## INSTRUCTIONS

The **foodproof**<sup>®</sup> *Salmonella* Detection Kit is MicroVal validated according to ISO 16140-2:2016, certificate number 2011LR39.

In this project the **foodproof**<sup>®</sup> *Enterobacteriaceae* plus *Cronobacter* Detection Kit for pre-screening, followed by the **foodproof**<sup>®</sup> *Salmonella* Detection Kit, were validated; both in combination with the **foodproof**<sup>®</sup> Magnetic Preparation Kit IV (KIT 2301 84) and Reagent D (KIT 2300 01) for automated sample preparation. The validation was done according to section 2.4 “MicroVal Protocol including the semi-automated DNA extraction” in the manual “R\_302\_15-1\_L\_20\_foodproof\_Eb\_plus\_Cronobacter” for the **foodproof**<sup>®</sup> *Enterobacteriaceae* plus *Cronobacter* Detection Kit.

Manual DNA extraction was performed with the **foodproof**<sup>®</sup> StarPrep One Kit (KIT 2301 75 / 76) and Reagent D (KIT 2300 01), according to section 2.5 “Protocol including the manual DNA extraction with the **foodproof**<sup>®</sup> StarPrep One Kit” in the manual “R\_302\_15-1\_L\_20\_foodproof\_Eb\_plus\_Cronobacter\_BPZ\_V2-3” for the **foodproof**<sup>®</sup> *Enterobacteriaceae* plus *Cronobacter* Detection Kit.

The alternative method was validated to be applicable to the scope: infant formula and infant cereals, probiotics containing products, ingredients, and environmental samples for the manual extraction procedure. For the semi-automated DNA extraction procedure, the alternative method was validated to be applicable to the scope: infant formula and infant cereals as well as probiotics containing products. The validation was performed in comparison to the ISO method for *Salmonella* (ISO 65791:2017). For the validation the LightCycler<sup>®</sup> 480 II (software version 1.5.1) from Roche Diagnostics was used.

If the **foodproof**<sup>®</sup> *Salmonella* Detection Kit is used in combination with the **foodproof**<sup>®</sup> *Enterobacteriaceae* plus *Cronobacter* Detection Kit for pre-screening, please refer to the manual of the **foodproof**<sup>®</sup> *Enterobacteriaceae* plus *Cronobacter* Detection Kit (KIT 2300 43).

### Cultural Confirmation

Positive PCR results were confirmed with the ISO 6579 reference method for MicroVal validations and with the BAM (Bacteriological Analytical Manual Online, Chapter 5: *Salmonella*, Andrews H.W., Hammack S.T., December 2007 Edition) for AOAC-RI validations, e.g., serologically by latex agglutination (*Salmonella* Test Kit, Oxoid DR1108A) and biochemically by using API 20E strips (bioMerieux 20100). For further information please visit the following web addresses: [www.iso.org](http://www.iso.org) or [www.cfsan.fda.gov/~ebam/bam-5.html](http://www.cfsan.fda.gov/~ebam/bam-5.html).

Within the MicroVal study LR39, all *Salmonella*-positive PCR results were culture-confirmed as described in ISO 6579-1:2017.

Within the MicroVal study 2011LR40 / 2011LR42, all *Salmonella*-positive PCR results were culture-confirmed as described in EN ISO 6579/A1 (2007) for PPS samples and according EN ISO 6579:2002 for food and feed samples.

## INSTRUCTIONS

### **Details of the confirmation procedure within the MicroVal studies**

In the context of the MicroVal validations, all presumptive positive samples must be confirmed. For this, 0.1 ml of the first enrichment in BPW was transferred into 10 ml RVS (incubate at 41.5 °C for 24 h +/- 3 h) and 1 ml enrichment was transferred into 10 ml MKTTn (incubate at 37 °C for 24 h +/- 3 h). 10 µl from MktTn and RVS were spread onto XLD and a chromogenic agar. For the PPS samples MRVS was inoculated with the BPW enrichment (incubate at 41.5 °C for 24 h +/- 3 h or optionally additional 24 h +/- 3 h). Isolations were done onto XLD and a chromogenic agar. For all samples: Incubate the plates according to the manufacturer's instruction. Confirm 1 to 5 characteristic colonies using the ISO 6579 reference confirmation tests.

For the automated protocol the isolation and confirmation steps were only done for RVS and XLD. For the PPS samples the confirmation was additionally done by streaking 10 µl MOSSEL broth onto XLD and a chromogenic agar, followed by confirmation using the ISO 6579 reference confirmation tests.

## INSTRUCTIONS

### 2.4 Procedure

This protocol describes how to perform the analysis of DNA extracts by real-time PCR.

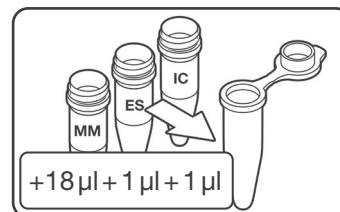
#### 2.4.1 Workflow

Thaw the solutions, mix by flicking the tubes four to five times, and briefly spin vials in a microcentrifuge before opening.

#### 1. PREPARE PCR MIX

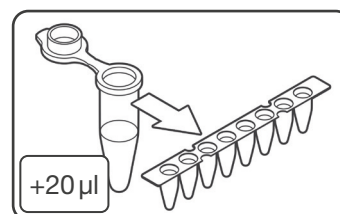
Add 18  $\mu$ l of Master Mix (yellow cap), 1  $\mu$ l Enzyme Solution (red cap) and 1  $\mu$ l Internal Control (white cap) for each reaction to a suitable tube (n samples + 2 controls + at least one additional reaction to cover pipetting loss).

Mix carefully but thoroughly by pipetting up and down.



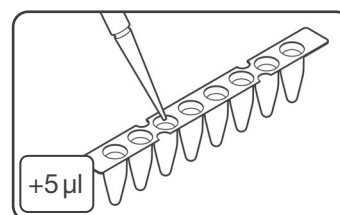
#### 2. ADD PCR MIX

Pipette 20  $\mu$ l of prepared PCR mix into each strip or plate well.



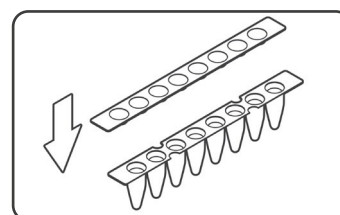
#### 3. ADD SAMPLES AND CONTROLS

Pipette 5  $\mu$ l of samples, negative control (colorless cap) or Control Template (purple cap) into respective wells.



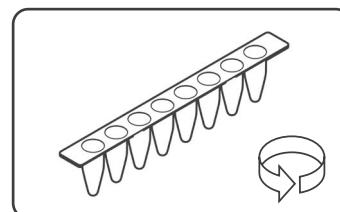
#### 4. SEAL

Seal strips/plate accurately.



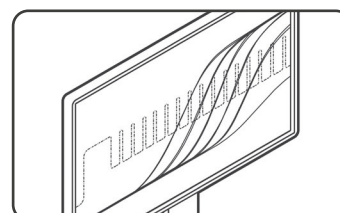
#### 5. CENTRIFUGE

Briefly spin strips/plate in a suitable centrifuge.



#### 6. START REAL-TIME PCR RUN

Cycle samples as described in the program setup (2.4.2).



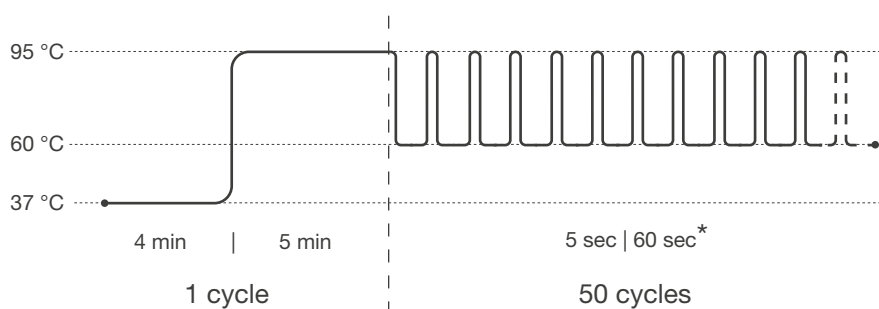
## INSTRUCTIONS

### 2.4.2 Program Setup

Program your real-time PCR instrument before setting up the PCR reactions. Select the following channels:

- FAM (*Salmonella*), and VIC (Internal Control).

As an alternative to VIC, HEX can be used. For the PikoReal® 24, Yakima Yellow has to be selected.



**Pre-incubation: 1 cycle**

Step 1: 37 °C for 4 min

Step 2: 95 °C for 5 min

**Amplification: 50 cycles**

Step 1 : 95 °C for 5 sec

Step 2\*: 60 °C for 60 sec

\* Fluorescence detection

For some real-time PCR instruments the probe quencher as well as the usage of a passive reference dye has to be specified. This kit contains probes with TAMRA as quencher and no passive reference dye.

For users of the Agilent Mx3005P instrument: Click “Instrument” and “Filter Set Gain Settings” to open the Filter Set Gain Settings dialog box in which the gain settings may be viewed and modified. For FAM the Filter Set Gain Setting has to be modified to “x1”.

### 2.4.3 Data Interpretation

Verify results of positive (Control Template) and negative controls (H<sub>2</sub>O), before interpreting sample results. Always compare samples to positive and negative control. Review data from each channel and interpret results as described in the table.

FAM	VIC	Result Interpretation
+	+ or -	Positive for <i>Salmonella</i>
-	+	Negative for <i>Salmonella</i>
-	-	Invalid

## INSTRUCTIONS

### 2.5 Troubleshooting

Problem	Possible Cause	Recommendation
No signal increase is observed, even with positive controls.	Incorrect detection channel has been chosen.	Set channel settings for respective dyes accordingly.
	Pipetting errors.	Check for correct reaction setup and repeat the PCR run. Always run a positive control along with your samples.
	No data acquisition programmed.	Check the cycle programs.
A sample shows no signals, including the internal control. Positive and negative control have proper signals.	Inhibitory effects of the sample material (e.g., caused by insufficient purification).	Use the recommended DNA extraction kit. Dilute samples or pipette a lower amount of sample DNA (e.g., 20 µl PCR-grade water and 5 µl sample instead of 25 µl sample).
Negative control samples are positive.	Carry-over contamination.	Exchange all critical solutions and reagents for DNA/RNA extraction. Repeat the complete experiment with fresh batches of all reagents. Always handle samples, kit components and consumables in accordance with commonly accepted practices to prevent carry-over contamination. Add positive controls after sample and negative control reaction vessels have been sealed.
Fluorescence intensity is too low.	Inappropriate storage of kit components.	Store lyophilized PCR mix at 2 °C to 8 °C, protected from light and moisture.
	Low initial amount of target DNA.	If possible, increase the amount of sample DNA. Depending on the chosen DNA isolation method, inhibitory effects may occur.
	Reagents are not homogeneously mixed.	Mix reagents thoroughly before pipetting.
Fluorescence intensity varies.	Insufficient centrifugation of the PCR strips, e.g., resuspended PCR mix is still in the upper part of the vessel or bubbles trapped in the mix.	Always centrifuge PCR strips. Use the centrifuge models and settings recommended in this manual. Avoid the introduction of air bubbles during pipetting.
	Outer surface of the vessel or the seal is dirty (e.g., by direct skin contact).	Always wear gloves when handling the vessels and seal. Do not mark vessels on the outside of the tubes or directly on top of the reaction mix.

## INSTRUCTIONS

### 2.6 Support

If you have questions or experience any problems with our products, please contact us:



**[www.hygiena.com/technical-support-request](http://www.hygiena.com/technical-support-request)**

Our aim is to provide you with a solution as quickly and effectively as possible. We would also like you to contact us if you have any suggestions for improving the product or in case you would like to use our product for a different application. We highly value your feedback.



## ADDITIONAL INFORMATION

# 3. ADDITIONAL INFORMATION

## 3.1 Testing Principle

The **foodproof**<sup>®</sup> kit provides all necessary reagents and a control template for reliable interpretations of results. To ensure maximum reliability of the kit and to prevent misinterpretation of negative results due to inhibition of the amplification, an Internal Control (IC) is included. A hydrolysis probe was designed to bind specifically the IC, allowing detection in the respective channel, whereas the target DNA is detected in another channel. In case of a negative result due to inhibition of the amplification by the sample DNA of interest, the amplification of the IC is suppressed as well, whereas a negative result for the sample DNA of interest and amplification of the IC clearly indicates the absence of parameter in the sample. The real-time PCR kit minimizes contamination risk and contains all reagents (except for template DNA) needed for the detection of target DNA. Primers and probes provide specific detection of target DNA in food and environmental samples, including primary production stage samples. The described performance of the kit is guaranteed for use only on the real-time PCR instruments listed above.

### Step-by-Step Procedure

1. Using the kit's sequence-specific primers in a polymerase chain reaction (PCR), the PCR instrument and the supplied reagents amplify fragments of specific sequences for target DNA.
2. The PCR instrument detects these amplified fragments in real time through fluorescence generated by cleavage of the hybridized probe due to the 5'-nuclease activity of the Taq DNA polymerase. The probe is labeled at the 5'-end with a reporter fluorophore and at the 3'-end with a quencher.
3. During the annealing/elongation phase of each PCR cycle, the probe hybridizes to an internal sequence of the amplicon and is cleaved by the 5' nuclease activity of the Taq DNA polymerase. This cleavage of the probe separates the reporter dye from the quencher dye, increasing the reporter dye signal.
4. The PCR instrument measures the emitted fluorescence of the reporter dye.

### Prevention of Carry-Over Contamination

The heat-labile Uracil-DNA N-Glycosylase (UNG) is suitable for preventing carry-over contamination between PCR's. This technique relies on the incorporation of deoxyuridine triphosphate (dUTP) during all amplification reactions, and the pretreatment of all successive PCR mixtures with the heat-labile UNG. The UNG cleaves DNA at any site where a deoxyuridine residue has been incorporated. The resulting abasic sites are hydrolyzed due to the high temperatures during the initial denaturation step, and can no longer serve as PCR templates. The heat-labile UNG is inactivated during the initial denaturation step. Native DNA (e.g., the isolated target genomic DNA) does not contain uracil and is therefore not degraded by this procedure. Since dTTP is replaced with dUTP and UNG is included in this kit, decontamination can be achieved with the provided reagents.

## ADDITIONAL INFORMATION

### 3.2 Trademarks

**foodproof**<sup>®</sup>, **microproof**<sup>®</sup>, **vetproof**<sup>®</sup>, ShortPrep<sup>®</sup>, RoboPrep<sup>®</sup>, and LyoKit<sup>®</sup> are trademarks of BIOTECON Diagnostics GmbH.

Hygiena<sup>™</sup> is a registered trademark of Hygiena.

Other brand or product names are trademarks of their respective holders.

### 3.3 Reference Number

The reference number and original BIOTECON Diagnostics article numbers:

R 302 27 and R 302 27 L.

### 3.4 Change Index

Version 5, February 2022:

Information regarding the MicroVal validation has been included.

Rebranding, new document layout and updated content.

**Hygiena LLC**

CA 93012 Camarillo  
USA

[www.hygiena.com/technical-support-request](http://www.hygiena.com/technical-support-request)

**Manufactured by**

**BIOTECON  
Diagnostics GmbH**

Hermannswerder 17  
14473 Potsdam  
Germany

[bcd@bc-diagnostics.com](mailto:bcd@bc-diagnostics.com)  
[www.bc-diagnostics.com](http://www.bc-diagnostics.com)